

Pompa drenaj apa menajera GRUNDFOS KPC 300 A



Not ! Poza de produs poate diferi de produsul actual

Nr. Produs: La cerere
KPC 300 A

The KPC 300 and 600 are designed mainly for automatically operated, permanent domestic applications for draining basements and garages, which are subject to flooding. Thanks to its compact, easy-to-handle design, it can also be used as a portable pump for emergencies such as lifting water from tanks or rivers, emptying swimming pools, fountains, excavations and underpasses. It is also ideal for gardening and hobbies in general. The level switch allows permanent installation and guarantees automatic pump operation.

Liquid:

Lichide pompate: orice văscozit i fluid
Gama temperaturii lichidului: 0 .. 35 °C
Densitate: 998.2 kg/m³

Technical:

Dimensiunea maxim a particulelor: 10 mm

Materials:

Corpul pompei (stator): NORYL GFN2
Rotor: NORYL GFN2

Instala ie:

Refulare pomp : Rp 1 1/4
Adâncime maxim de instalare: 7 m

Electrical data:

Puterea de intarare - P1: 350 W
Frecven a re elei electrice: 50 Hz
Tensiune nominal : 1 x 220-240 V
Curent nominal: 1.5 A
Dimensiune condensator - func ionare: 8 µF/450 V
Grad de protec ie (IEC 34-5): IP68
Clas de izolare (IEC 85): F
Lungimea cablului: 10 m
Tip de conectare cablu: SCHUKO

Others:

Greutate net : 4.1 kg
Greutate brut : 4.6 kg
Volum de transport: 0.016 m³

1 KPC 300 A



Not ! Poza de produs poate diferi de produsul actual

Nr. Produs: La cerere

The KPC 300 and 600 are designed mainly for automatically operated, permanent domestic applications for draining basements and garages, which are subject to flooding. Thanks to its compact, easy-to-handle design, it can also be used as a portable pump for emergencies such as lifting water from tanks or rivers, emptying swimming pools, fountains, excavations and underpasses. It is also ideal for gardening and hobbies in general. The level switch allows permanent installation and guarantees automatic pump operation.

Liquid:

Lichide pompatate: orice vâscozitate i fluid
 Gama temperaturii lichidului: 0 .. 35 °C
 Densitate: 998.2 kg/m³

Technical:

Dimensiunea maxim a particulelor: 10 mm

Materials:

Corpul pompei (stator): NORYL GFN2
 Rotor: NORYL GFN2

Instalatie:

Refulare pomp : Rp 1 1/4
 Adâncime maxim de instalare: 7 m

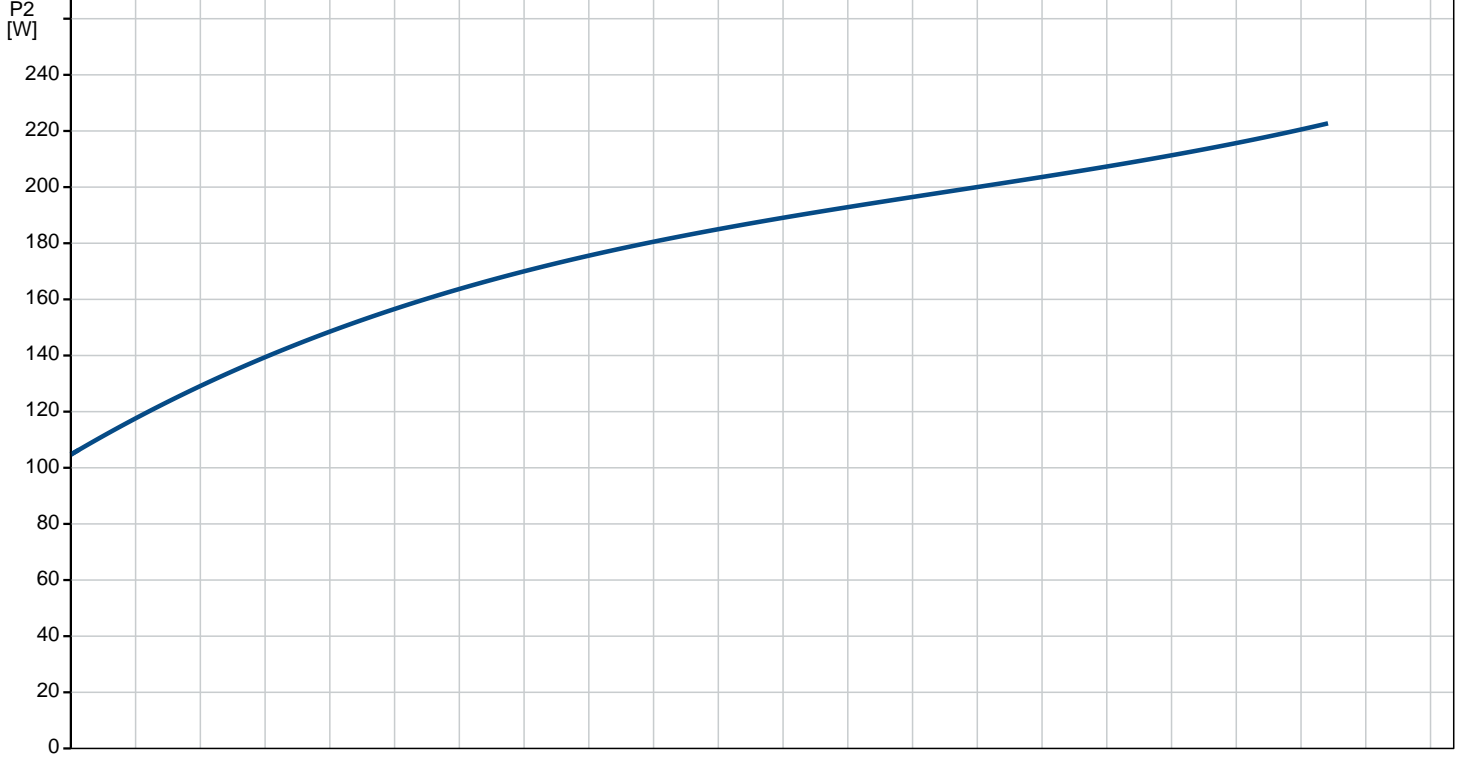
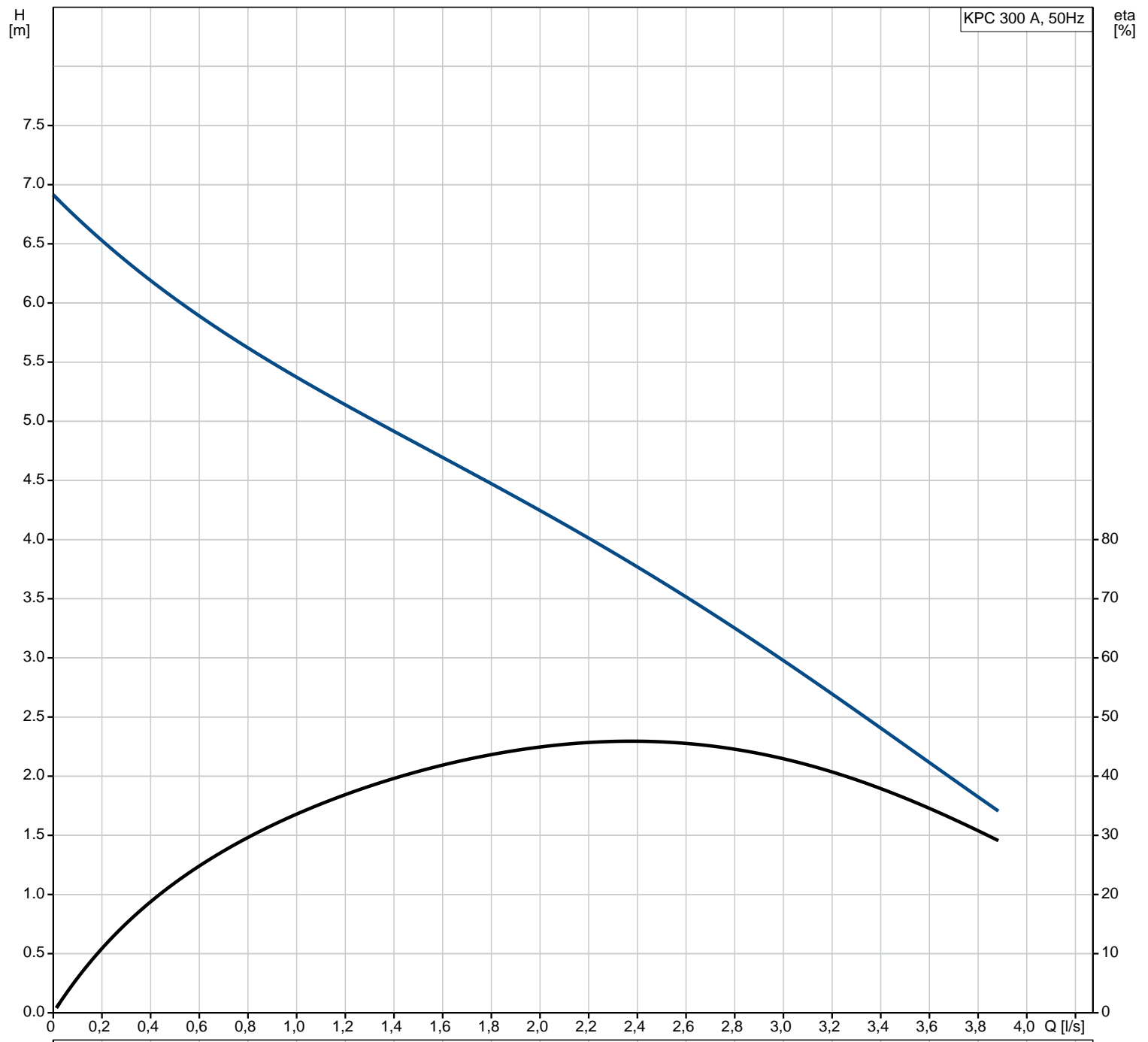
Electrical data:

Puterea de intarare - P1: 350 W
 Frecven a re elei electrice: 50 Hz
 Tensiune nominal : 1 x 220-240 V
 Curent nominal: 1.5 A
 Dimensiune condensator - func ionare: 8 µF/450 V
 Grad de protec ie (IEC 34-5): IP68
 Clas de izolare (IEC 85): F
 Lungimea cablului: 10 m
 Tip de conectare cablu: SCHUKO

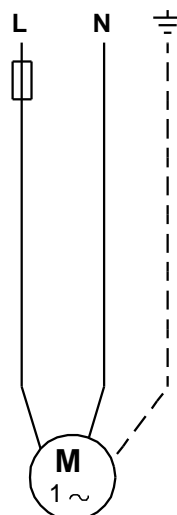
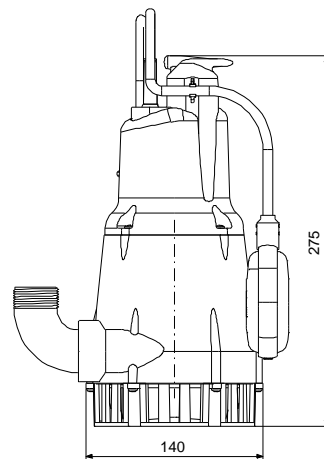
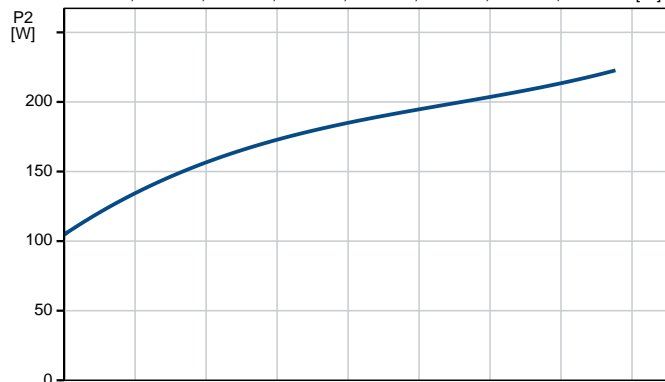
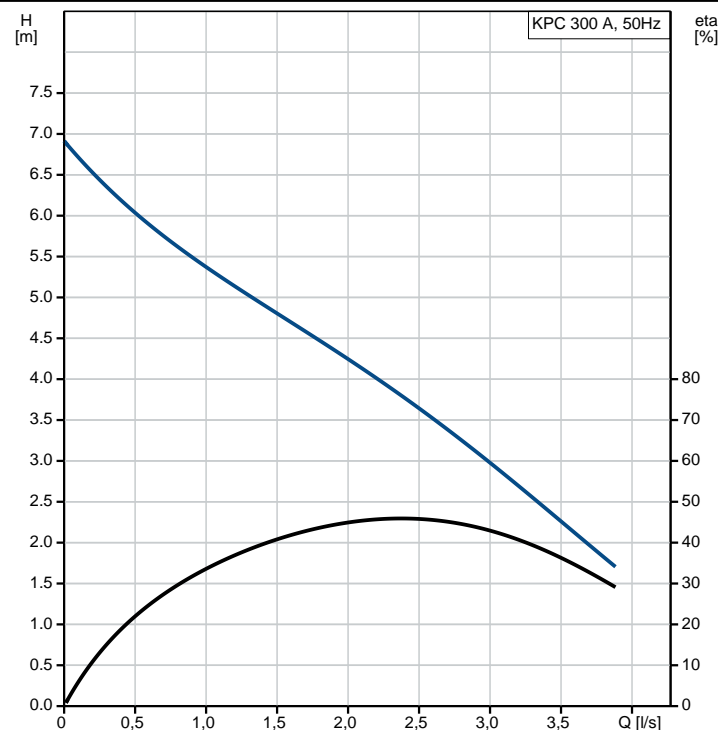
Others:

Greutate net : 4.1 kg
 Greutate brut : 4.6 kg
 Volum de transport: 0.016 m³

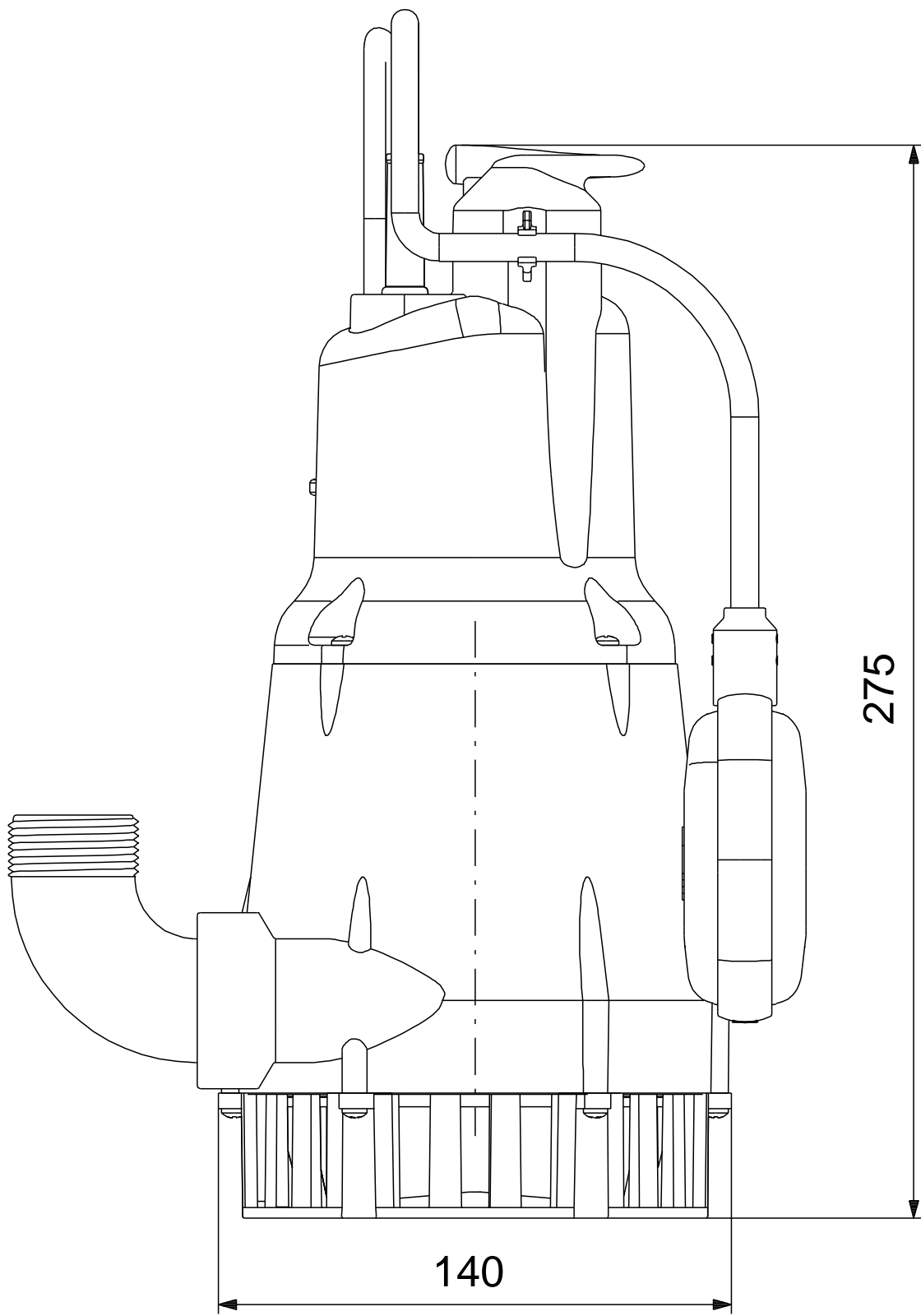
La cerere KPC 300 A 50 Hz



Descriere	Valori i tipuri
Informa ii generale:	
Nume produs::	KPC 300 A
Nr. produs::	La cerere
Numărul EAN::	La cerere
Technical:	
Debit maxim:	3.61 l/s
În l ime de pompare max.:	6.5 m
Dimensiunea maxim a particulelor:	10 mm
Model:	A
Materials:	
Corpul pompei (stator):	NORYL GFN2
Rotor:	NORYL GFN2
Instala ie:	
Refulare pomp :	Rp 1 1/4
Adâncime maxim de instalare:	7 m
Liquid:	
Lichide pompate:	orice vâscozit i fluid
Gama temperaturii lichidului:	0 .. 35 °C
Densitate:	998.2 kg/m³
Electrical data:	
Puterea de intarare - P1:	350 W
Frecven a re elei electrice:	50 Hz
Tensiune nominal :	1 x 220-240 V
Curent nominal:	1.5 A
Dimensiune condensator - func ionare:	8 µF/450 V
Grad de protec ie (IEC 34-5):	IP68
Clas de izolare (IEC 85):	F
Protec ie termic :	intern
Lungimea cablului:	10 m
Tip de conectare cablu:	SCHUKO
Controls:	
Detector de nivel:	A/WITH
Others:	
Greutate net :	4.1 kg
Greutate brut :	4.6 kg
Volum de transport:	0.016 m³



KPC 300 A 50 Hz



Note! All units are in [mm] unless others are stated.
Disclaimer: This simplified dimensional drawing does not show all details.

KPC 300 A 50 Hz

